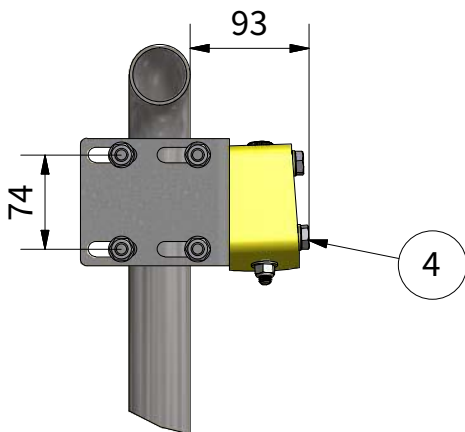
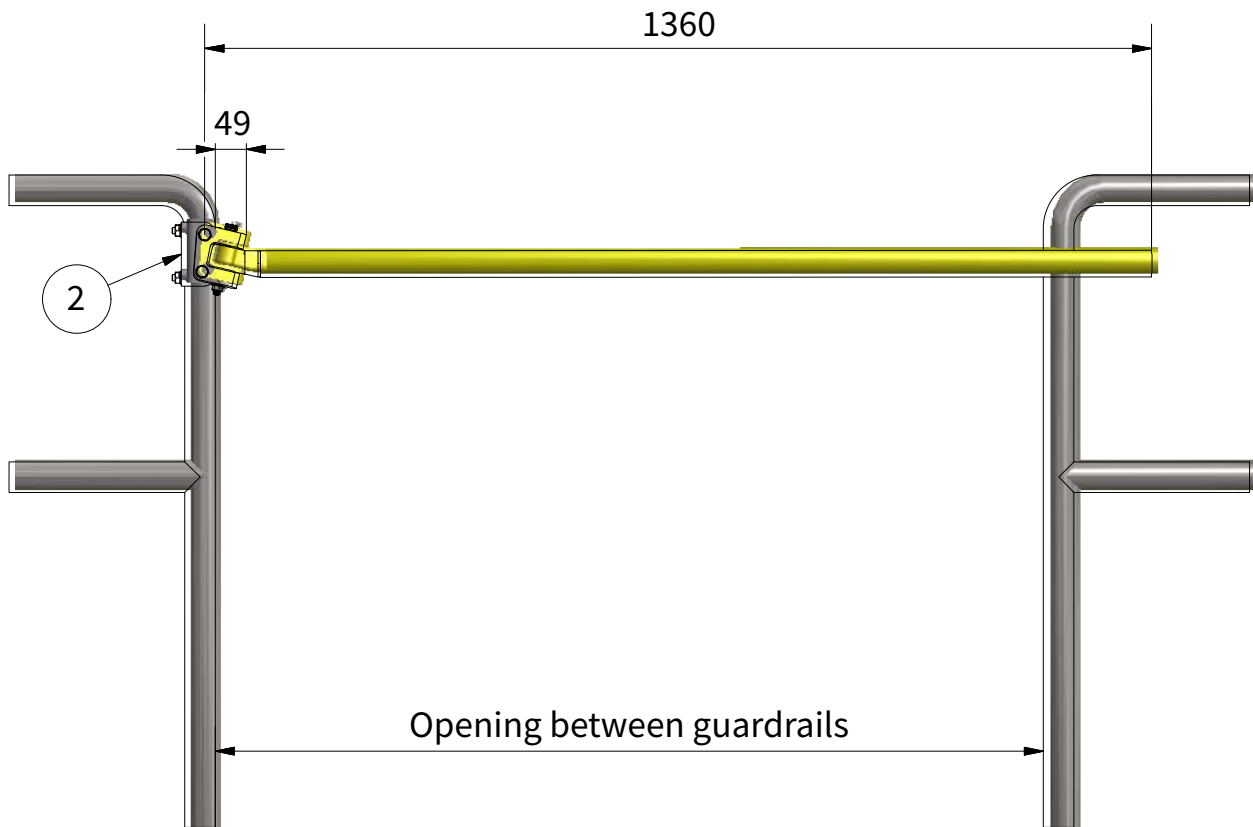
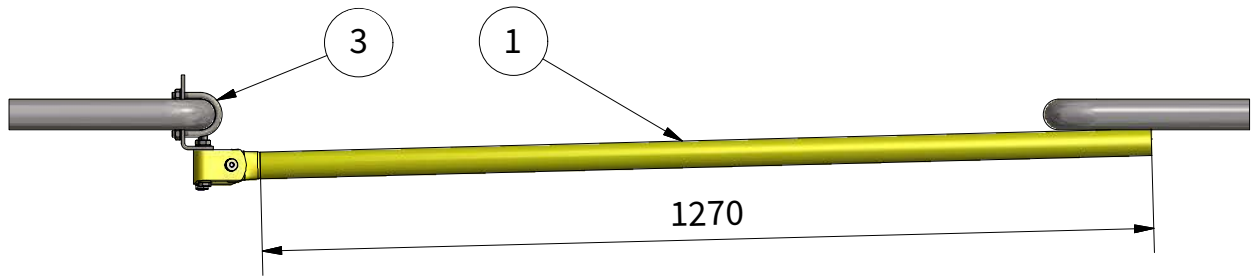


PEDESTRIAN GATE

INSTALLATION GUIDE ROUND TUBE



All steel parts are galvanized.

| ITEM | QTY | DESCRIPTION |
|------|-----|--------------------------------|
| 1 | 1x | Pedestrian gate (PU/PVC) |
| 2 | 1x | Bracket (steel galvanized) |
| 3 | 2x | U-bolt M10 (for pipe 42-48 mm) |
| 4 | 2x | M10 x 80 bolt/washer/nut |