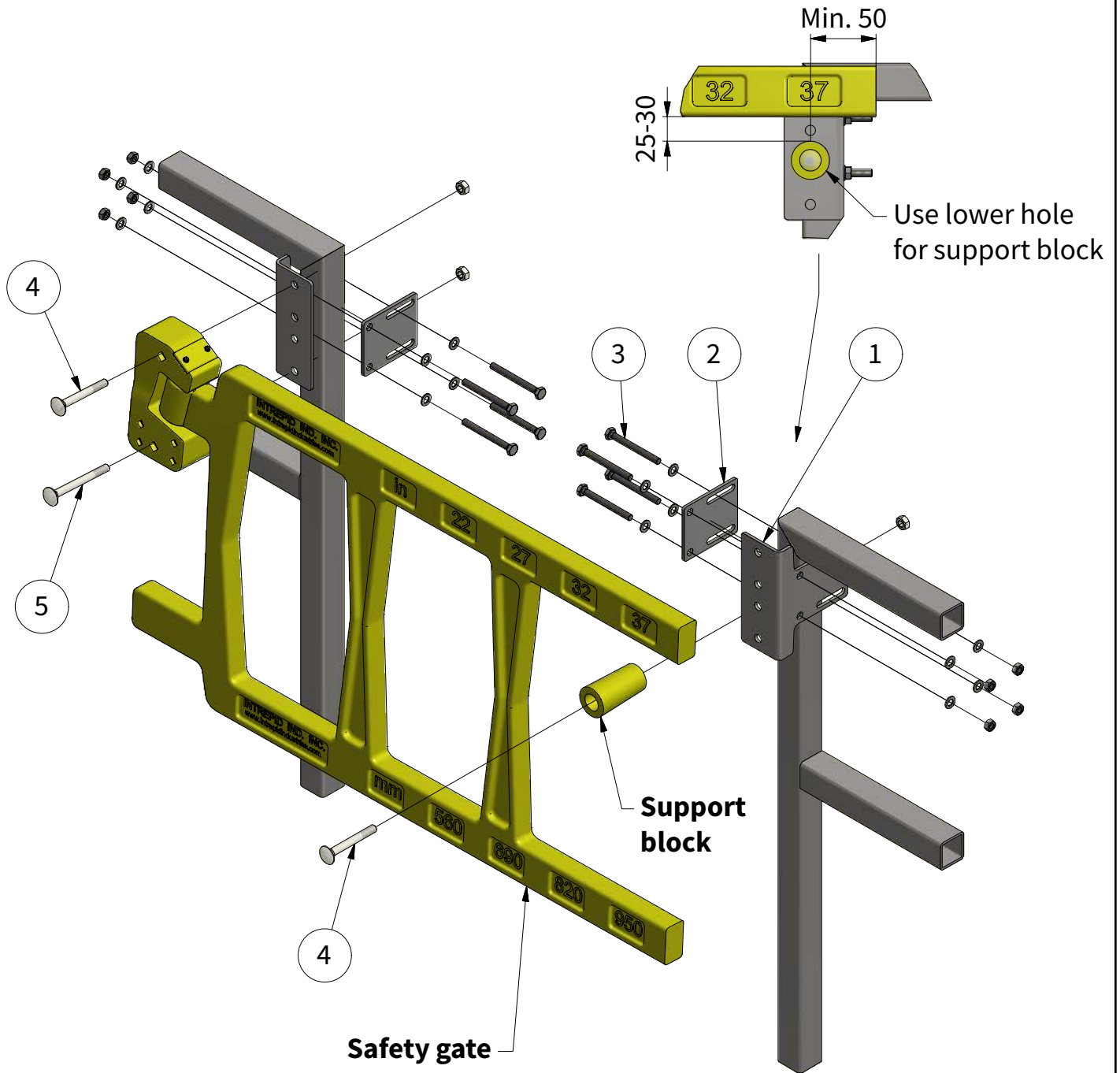


# SQUARE TUBE KIT

## INSTALLATION GUIDE HDG



Fits on tubes 30-70 mm.

Bolts for 80 mm tube on request.

All steel parts are hot dip galvanized.

ITEM	QTY	DESCRIPTION
1	2x	Mounting bracket
2	2x	Counter plate
3	8x	M10 x 100 Hex. bolt/washer/nut
4*	2x	M12 x 100 carriage bolt/nut
5*	1x	M12 x 120 carriage bolt/nut

\*Items 4, 5 and support block supplied with safety gate.